

CANPATFULL (Canadian (CA) Patents Full Text)

Subject Coverage	All patent-relevant areas of science and technology, i.e., all classes of the International Patent Classification			
File Type	Full Text			
Features	Thesauri	International Patent Classification (/IPC), Cooperative Patent Classification (/CPC), European Patent Classification (/EPC and /ICO)		
	Alerts (SDIs)	Weekly or monthly (weekly is the default)		
	CAS Registry Number [®] Identifiers	<input type="checkbox"/>	Page Images	<input type="checkbox"/> STN [®] AnaVist [™] <input type="checkbox"/>
	Keep & Share	<input checked="" type="checkbox"/>	SLART	<input checked="" type="checkbox"/> STN Easy [®] <input type="checkbox"/>
	Learning Database	<input type="checkbox"/>	Structures	<input type="checkbox"/>
Record Content	<ul style="list-style-type: none"> • Full text of patent applications and patent specifications published in Canada. • Patent applications and patent specifications from 1906 to the present. • Records of the database contain bibliographic data including patent applicant and inventor, patent, application and priority application data, IPC, CPC and EPC classification codes, abstract, and full text of description and claims (from 1920 onwards). • About 40,000 records with French as publication language. French abstracts of these records are human translated to English, claims and descriptions are machine translated. 99% of all publications since 1976 have a French and English title. • Numeric values of over 30 physical and chemical properties in almost 400 unit variants are searchable in all full text fields. • Full text has been created by Optical Character Recognition (OCR) software. Therefore, characters may be misinterpreted, or portions of the text may be incomplete. A small percentage of records are absent because they failed to scan. • Database records comprise all documents published for one application. • Clipped images (mostly front-page images) are also included, when available. • Legal status data, family and citation display formats from the INPADOCDB database are available. 			
File Size	<ul style="list-style-type: none"> • More than 2.3 million family records with more than 2.57 million publications (07/2017) • More than 1.4 million front page images from 1920 to present (07/2017) 			
Coverage	Comprehensive 1906 to present, first document from 1869			
Updates	Weekly			
Languages	English, French			
Database Producer	LexisNexis Univentio BV Galileiweg 8 2333 BE Leiden The Netherlands Phone: (+31) 88-6390000 Email: customersupport@univentio.com Copyright Holder			

Database Supplier FIZ Karlsruhe
STN Europe
P.O. Box 2465
76012 Karlsruhe
Germany
Phone: +49-7247-808-555
Fax: +49-7247-808-259
Email: helpdesk@fiz-karlsruhe.de

Sources Patent applications and patent specifications published by the Canadian Intellectual Property Office

- User Aids**
- Online Helps (HELP DIRECTORY lists all help messages available)
 - STNGUIDE
-

- Clusters**
- AEROTECH
 - ALLBIB
 - AUTHORS
 - CORPSOURCE
 - ENGINEERING
 - FULLTEXT
 - HPATENTS
 - PATENTS
 - PNTTEXT
- [STN Database Clusters](#) information (PDF)
-

Pricing Enter HELP COST at an arrow prompt.

Search and Display Field Codes

If multiple search terms are linked with and AND-operator, all terms are searched in the complete database record, i.e. in all publications referring to one application. For a search in a specific publication of the record, connect the search term and the patent kind code with the (L)-proximity operator, e.g. S BOREHOLE/AB, TI, CLM (L) CAA1/PK limits the search to Canadian applications CAA1.

Fields that allow left truncation are indicated by an asterisk (*).

General Search Fields

Search Field Name	Search Code	Search Examples	Display Codes
Basic Index* (contains single words from the titles (TIEN, TIFR), abstracts (ABEN, ABFR), detailed description (DETDEN, DETDFR), claims (CLMEN, CLMFR), and main claims (MCLMEN, MCLMFR) fields)	None or /BI	S TRANSISTOR AND ELECTRODE S ACOUSTIC SENSOR S ?TRANSFER? S PLASTIQUE	TI, TIEN, TIFR, AB, ABEN, ABFR, CLM, CLMEN, CLMFR, DETD, DETDEN, DETDFR, MCLM, MCLMEN, MCLMFR
Abstract* (in English and French) Abstract in English Abstract in French Accession Number Agent Agent, Country (WIPO code and text) Application Country (WIPO code and text) Application Date (1) Application Number (2) Application Year (1) Claims* (in English and French) Claims (in English) Claims (in French) Cooperative Patent Classification (3) Cooperative Patent Classification, Action Date Cooperative Patent Classification, Keywords Cooperative Patent Classification, Version Data Entry Date (1) Data Update Date (1) Document Type (code and text) Entry Date (1) Entry Date of Fulltext (1) EPC, Keyword Terms European Patent Classification (3) Field Availability Graphic Image Size (1) ICO (in-computer-only) Classification (3) ICO Keyword Terms IdT (Indeling der Techniek) International Patent Classification (ICM, ICS, IPCI, IPCR) (3) International Patent Classification (ICM, ICS) Inventor Inventor, Country (WIPO code and text) Inventor Address IPC, Initial IPC, Keyword Terms	/AB /ABEN /ABFR /AN /AG /AG.CNY /AC /AD /AP (or /APPS) /AY /CLM /CLMEN /CLMFR /CPC /CPC.ACD /CPC.KW /CPC.VER /DED /DUPD /DT (or /TC) /ED /EDTX /EPC.KW /EPC (or /ECLA) /FA /GIS /ICO /ICO.KW /IDT /IPC /IC /IN (or /AU) /IN.CNY /INA /IPCI /IPC.KW	S BOREHOLE/AB S BOREHOLE/ABEN S PLASTIQUE/ABFR S 2010006109/AN S ANDREW/AG S CA/AG.CNY S CA/AC S AD=JAN 2003 S CA 2003-2669508/AP S 2003CA-2669508/APPS S AY>=2000 S DERIVATION/CLM S DERIVATION/CLMEN S DERIVATION/CLMFR S C12N0009/CPC S 20121113/CPC.ACD S C12N0009/CPC(S)/CPC.KW S 20130101/CPC.VER S 20110727/DED S 20110106/DUPD S P/DT S PATENT/DT S ED=AUGUST 2011 S 20110815/EDTX S D2/EPC.KW S A01B0001-02B/EPC S AB/FA S L1 AND 700-800/GIS S L29C0065:18/ICO S A4/ICO.KW S B21K0001-56/IDT S A01B001/IPC S A24B/IC S MANDEL, STEVEN J./IN S MANDEL ?/IN S CA/IN.CNY S BADHAUSSTRASSE 10/4 A-6080, IGLS, AT/INA S B21B0001/IPCI S INITIAL/IPC.KW	AB AB, ABEN AB, ABFR AN AG AG.CNY AI AI AI AI CLM CLM, CLMEN CLM, CLMFR CPC CPC.TAB CPC.TAB CPC.TAB DED DUPD DT ED EDTX EPC EPC FA GIS ICO ICO IDT ICM, ICS, IPCI, IPCR IC, ICM, ICS IN IN, IN.CNY IN IPCI IPC.TAB

CANPATFULL

General Search Fields (cont'd)

Search Field Name	Search Code	Search Examples	Display Codes
IPC, Action Date (1)	/IPC.ACD	S 20051008/IPC.ACD	IPC.TAB
IPC, Main	/ICM	S A01N001/ICM	ICM
IPC, Reclassified	/IPCR	S B21B0001/IPCR	IPCR
IPC, Reform	/IPC.REF	S A01B0001-04/IPC.REF	IPC.TAB
IPC, Secondary	/ICS	S A01B001-16/ICS	ICS
IPC, Version	/IPC.VER	S 7/IPC.VER	IPC.TAB
Language (code and text)	/LA	S EN/LA S ENGLISH/LA	LA
Language, Filing (code and text)	/LAF	S EN/LAF S ENGLISH/LAF	LAF
Main Claim* (in English and French)	/MCLM	S ?FRACTURE?/MCLM	MCLM
Main Claims in English	/MCLMEN	S DERIVATION/MCLMEN	MCLM, MCLMEN
Main Claims in French	/MCLMFR	S DERIVATION/MCLMFR	MCLM, MCLMFR
Number of Claims (1)	/CLMN	S 5-7/CLMN	CLMN
Number of Paragraphs in DETD (Detailed Description) (1)	/DETN	S DETN<10	DETN
Patent Applicant/Patentee (5)	/PA (or /CS)	S BASF AG/PA	PA
Patent Assignee, Country (WIPO code and text)	/PA.CNY	S IL/PA.CNY	PA, PA.CNY
Patent Assignee, Nationality (WIPO code)	/PA.NAT	S CU/PA.NAT	PA
Patent Assignee, Residence (WIPO code)	/PA.RES	S KR/PA.RES	PA
Patent Assignee, Total (5)	/PA.T	S SANDISK IL/PA.T	PA
Patent Assignee Address	/PAA	S 353 LAKESIDE DRIVE, FOSTER CITY, CA, 94404, US/PAA	PA
Patent Country (WIPO code and text)	/PC	S CA/PC	PI
Patent Information Publication Type	/PIT	S "CAC2 DIVISION OF PATENT (FROM NO. 1275151 TO 2000000)"/PIT	PIT
Patent Kind Code	/PK	S CAA1/PK	PI
Patent Number (2)	/PN (or /PATS)	S CA2340007/PN	PI
Patent Number, Original	/PNO	S CA2340007/PNO	PNO
Patent Number/Kind Code	/PNK	S CA 1334342C2/PNK	PI
Physical Properties	/PHP	S VOLT/PHP (S) TOUCH SCREEN/BI	KWIC
Priority Country (WIPO code and text)	/PRC	S AU/PRC S AUSTRALIA/PRC	PRN
Priority Date (1)	/PRD	S PRD=APRIL, 2 2003 S 20030402/PRD	PRN
Priority Date, First (1)	/PRDF	S 20000109/PRDF	PRN
Priority Number Kind Code	/PRK	S DEA/PRK	PRN
Priority Number (2)	/PRN	S DE2000-10000267/PRN	PRN
Priority Number, Original	/PRNO	S US03530396/PRNO	PRNO, PRAO
Priority Year (1)	/PRY	S 1993/PRY	PRN
Priority Year, First (1)	/PRYF	S 1993-1994/PRYF	PRN
Publication Date (1)	/PD	S PD=JAN-FEB 2003	PI
Publication Year (1)	/PY	S PY>2003 AND L1	PI
Related Patent Country	/RLC	S WO/RLC	RLI
Related Application Number	/RLN	S WO2005-CN1442/RLN	RLI
Related Application Date (1)	/RLD	S 20000109/RLD	RLI
Related Application Year (1)	/RLY	S 2005/RLY	RLI
Title * (in English and French)	/TI	S FLUID###/TI	TI
Title in English	/TIEN	S TOUCH SCREEN/TIEN	TI, TIEN
Title in French	/TIFR	S ECRAN TACTILE/TIFR	TI, TIFR
Update Date (1)	/UP	S UP=JULY 2011	UP

(1) Numeric search field that may be searched using numeric operators or ranges.

(2) By default, patent numbers, application and priority numbers are displayed in STN Format. To display them in Derwent format, enter SET PATENT DERWENT at an arrow prompt. To reset display to STN Format, enter SET PATENT STN.

(3) An online thesaurus is available in this field.

(4) Only valid for IPC version 1-7.

(5) Search with implied (S) proximity is available in this field.

Super Search Fields

Enter a super search code to execute a search in one or more fields that may contain the desired information. Super search fields facilitate crossfile and multfile searching. EXPAND may not be used with super search fields. Use EXPAND with the individual field codes instead.

Search Field Name	Search Code	Fields Searched	Search Examples	Display Codes
Application Number Group	/APPS	AP, PRN	S 2010AU-202547/APPS	AI, PRAI, APPS

Property Fields ¹⁾

In CANPATFULL a numeric search for a specific set of physical properties (/PHP) is available within the full text fields (TI, AB, DETD and CLM). The numeric values are not displayed as single fields, but highlighted within the hit displays.

Use EXPAND/PHP to search for all available physical properties. A search with the respective field codes will be carried out in all database fields with English text. The /PHP index contains a complete list of codes and related text for all physical properties available for numeric search.

Field Code	Property	Unit	Search Examples
/AOS	Amount of substance	Mol	S 10/AOS
/BIR	Bit Rate	Bit (Bit)	S 100000-160000/BIR
/BYR	Byte Rate	Byte (Byte)	S BYR<300000
/CMOL	Molar concentration (Molarity) (Concentration, amount of substance)	mol/l	S MOLYBD?/BI (S) 2/CMOL
/CON	Conductance	S (Siemens)	S 1E-2/CON
/DEG	Degree	Degree	S (POLARI? (S) ANGLE)/BI (S) 45/DEG
/DEN	Density (Mass Density)	Kg/m ³	S (CELL? (S) RECOMBIN?)/CLM (S) 5E-3-10E-3/DEN
/DV	Viscosity, dynamic	Pa s	S DV>5000
/ENE	Energy	J (Joule)	S L1 AND 10000/ENE
/FOR	Force	N (Newton)	S 50 N/FOR
/FRE	Frequency	Hz (Hertz)	S ANALY?/CLM (10A) 0-3/FRE
/KV	Viscosity, kinematic	m ² /s	S LUBRICANT/BI (S) 10E-5/KV
/LUME	Luminous Emittance/Illuminance	Lux	S 10-50/LUME
/LUMF	Luminous Flux (Luminous Power)	Lumen	S L74 (S) LUMF>70
/LUMI	Luminous Intensity	Candela	S 5<LUMI<15
/M	Mass	Kg (Kilogram)	S ALLOY/BI (30A) 1E-10-1E-5/M
/MFL	Mass Flow (Mass Transfer)	Kg/s	S INJECT? (S) 3-10/MFL
/MFS	Magnetic Field Strength (Magnetic Flux Density)	Tesla	S MAGNET?/BI (10W) 5<MFS<7
/MW	Molar Mass	g/mol	S 2000-3000 G/MOL/MW
/PER	Percent (Proportionality)	Percent	S (TITAN? (3A) DIOXID?)/CLM (S) 5/PER S 7.4-7.6/PHV
/PHV	pH	pH	S (SOLAR? OR PHOTOVOLTAIC?)/BI (10A) 5-10/POW
/POW	Power	W (Watt)	S (VACUUM (5A) DISTILL?)/BI (S) 1000-1100/PRES
/PRES (or /P)	Pressure	Pa (Pascal)	S AZA?/BI (P) 10-100/RAD
/RAD	Radioactivity	Bq (Becquerel)	S CERAMIC/CLM (P) 1-8/RES
/RES	Electrical Impedance/resistance	Ohm	S (COATING? OR FOIL?)/BI (S) 10-100/SAR
/SAR	Area /Surface Area	m ²	

Property Fields (cont'd) ¹⁾

Field Code	Property	Unit	Search Examples
/SCO	Spring Constant	N/m	S (ALUMINUM OR ALUMINIUM)/BI (20A) 10000-50000/SCO
/SIZ	Size	m (Metre)	S ?CARBON?/CLM (S) 3E-9/SIZ
/ST	Surface Tension	J/m ²	S 60 J/M**2 /ST
/TEMP (or /T)	Temperature	K (Kelvin)	S (REACTION? (25A) PHOSPHAT?) (S) 10/TEMP
/TIM	Time	S (Second)	S ?INCUB?/CLM (10W) 10-50/TIM
/VEL (or /V)	Velocity	m/s (Metre per Second)	S PUMP?/BI (S) 1E-3-5E-3/VEL
/VELA	Velocity, angular	rpm	S ANG?/CLM (S) VELA>10
/VOL	Volume	m ³	S ?FUSION?/BI (15A) 1E-8-2E-8 /VOL
/VOLT	Voltage	V (Volt)	S CALIBRAT?/BI(10A) 5E-3<VOLT<7E-3

(1) Exponential format is recommended for the search of particularly high or low values, e.g. 1.8E+7 or 1.8E7 (for 18000000) and 9.2E-8 (for 0.00000092).

International Patent Classification (/IPC) Thesaurus

The classifications, validity and catchwords for the main headings and subheadings from the current (8th) edition of the WIPO International Patent Classification (IPC) manual are available. The classifications from the previous editions (1-7) are also available as separate thesauri. To EXPAND and SEARCH in the thesauri for editions 1–7, use the field code followed by the edition number, e.g., /IPC2, for the 2nd edition. Catchwords are included only in the thesauri for the 8th, 7th, 6th, and 5th editions.

Code	Content	Examples
ADVANCED (ADV)	Advanced Codes for the Core Level IPC Code	E A61K0006-02+ADVANCED/IPC
ALL	All Associated Terms (BT, SELF, NT, RT)	E C01C003-00+ALL/IPC
BRO (MAN)	Complete Class	E C01C+BRO/IPC
BT	Broader Term (BT, SELF)	E C01F001-00+BT/IPC
CORE (COR)	Core Codes for the Advanced Level IPC Code	E G08C0019-22+CORE/IPC
ED	Complete title of the SELF term and IPC manual edition	E C01F001-00+ED/IPC
HIE	Hierarchy Term (Broader and Narrower Term) (BT, SELF, NT)	E C01B003-00+HIE/IPC
INDEX	Complete title of the SELF term	E C01F001-00+INDEX/IPC
KT	Keyword Term (catchwords) (SELF, KT)	E CYANOGEN+KT/IPC
NEXT	Next Classification	E C01C001-00+NEXT5/IPC
NT	Narrower Terms (SELF, NT)	E C01C+NT/IPC
PREV	Previous Classification	E C01C001-12+PREV10/IPC
RT (SIB)	Related Terms (SELF, RT)	E C01C003-20+RT/IPC
TI	Complete Title of SELF Term and Broader Terms (BT, SELF)	E C01F001-00+TI/IPC

ECLA (/EPC) and ICO Thesauri

These thesauri are available in the /EPC search field (for ECLA codes) and /ICO search field (for 'in-computer-only' codes). All relationship codes can be used with both the EXPAND and SEARCH commands.

Code	Content	Search Examples
ALL	All usually required terms (BT, SELF, CODE, DEF)	E C12M0001-34H2+ALL/EPC
AUTO (1)	Automatic relationship (BT, SELF, CODE, DEF)	E G01J003-443+AUTO/EPC
BT	Broader terms (BT, SELF)	E G01J0003-443+BT/EPC
CODE	Classification Code (SELF, CODE)	E SCRAPER BIASING MEANS+CODE/EPC
DEF	Definition (SELF, DEF)	E B65G0045-16+DEF/EPC
HIE	Hierarchy terms (all broader and narrower terms) (BT, SELF, DEF, NT)	E A01B0001+HIE/EPC
KT	Keyword terms (SELF, KT)	E LASER+KT/EPC

ECLA (/EPC) and ICO Thesauri (cont'd)

Code	Content	Search Examples
MAX	All associated terms	E G01J0003-44B+MAX/EPC
NEXT	Next classification within the same class (SELF, NEXT)	E A01B0001-24+NEXT/EPC
NEXT(n)	Next n classification within the same class	E A01B0001-24+NEXT3/EPC
NT	Narrower terms	E G05B0001-04+NT/EPC
PREV	Previous Code within the same class (SELF, PREV)	E G05B0019-418N1+PREV/EPC
PREV(n)	Previous n classifications within the same class	E G05B0019-418N1+PREV2/EPC
TI	Complete Title of SELF Term and Broader Terms (BT, SELF)	E G05B0001-03+TI/EPC

(1) Automatic Relationship is SET OFF. In case of SET REL ON the result of EXPAND or SEARCH without any relationship code is the same as described for AUTO.

CPC Thesaurus

This thesaurus is available in the /CPC search field. All relationship codes can be used with both the EXPAND and SEARCH commands.

Relationship Code	Content	Search Examples
ALL	All usually required terms (BT, SELF, CODE, DEF)	E C12M0001-005+ALL/CPC
AUTO (1)	Automatic relationship (BT, SELF, CODE, DEF)	E G01J003-443+AUTO/CPC
BT	Broader terms (BT, SELF)	E G01J0003-443+BT/CPC
CODE	Classification Code (SELF, CODE)	E CARTRIDGES+CODE/CPC
DEF	Definition (SELF, DEF)	E B65G0045-16+DEF/CPC
HIE	Hierarchy terms (all broader and narrower terms) (BT, SELF, DEF, NT)	E A01B0001+HIE/CPC
KT	Keyword terms (SELF, KT)	E LASER+KT/CPC
MAX	All associated terms	E G01J0003-44+MAX/CPC
NEXT	Next classification within the same class (SELF, NEXT)	E A01B0001-24+NEXT/CPC
NEXT(n)	Next n classification within the same class	E A01B0001-24+NEXT3/CPC
NT	Narrower terms	E G05B0001-04+NT/CPC
PREV	Previous Code within the same class (SELF, PREV)	E G05B0019-00+PREV/CPC
PREV(n)	Previous n classifications within the same class	E G05B0019-00+PREV2/CPC
TI	Complete Title of SELF Term and Broader Terms (BT, SELF)	E G05B0001-03+TI/CPC

CANPATFULL**DISPLAY and PRINT Formats**

Any combination of formats may be used to display or print answers. Multiple codes must be separated by spaces or commas, e.g., D L1 1-5 TI AU. The fields are displayed or printed in the order requested.

The information of the latest publication is displayed by default. To display the content for all levels of the record you can combine all display fields and formats with the qualifier .M except FA, FAM, CFAM, LS, LS2, RE, SCAN, and TRIAL. The default display format is STD.M, i.e., all publication levels of one family in the STN format.

For displaying a particular publication of a database record, you can simply add for certain display field the kind code to the appropriate display format, e.g. ALL.A1. Fields that allow this are indicated by a number (3).

Hit-term highlighting is available for all fields. Highlighting must be ON during SEARCH to use the HIT, KWIC, and OCC formats.

Format	Content	Examples
AB (ABS)	Abstract (in English and French)	D TI AB 1-5
ABEN	Abstract in English	D ABEN
ABFR	Abstract in French	D ABFR
AG	Agent	D AG
AG.CNY	Agent, Country	D AG.CNY
AI (AP) (1)	Application Information	D AI
AN	Accession Number	D L3 AN
CLM (3)	Claims (in English and French)	D CLM
CLMEN (3)	Claims in English	D CLMEN
CLMFR (3)	Claims in French	D CLMFR
CLMN (2)	Number of Claims	D CLMN
CPC	Cooperative Patent Classification	D CPC
CPC.TAB	CPC, Tabular	D CPC.TAB
DED	Data Entry Date	D DED
DETD (3)	Detailed Description (in English and French)	D DETD
DETDEN (3)	Detailed Description in English	D DETDEN
DETDFR (3)	Detailed Description in French	D DETDFR
DETN (2)	Number of Paragraphs in DETD	D DETN
DT (TC)	Document Type	D DT
DUPD	Data Update Date	D DUPD
ED	Entry Date	D ED
EDTX	Entry Date of Fulltext	D EDTX
EPC	European Patent Classification	D EPC
FA	Field Availability (for all publication levels)	D FA
GI	Graphic Image	D GI
GIS (2)	Graphic Image, Size	D GIS
GIT (2)	Graphic Image, Type	D GIT
IC	IPC (format contains ICM, ICS)	D IC
ICM	IPC, Main	D IC
ICO	ICO (in-computer-only) Classification	D ICO
ICS	IPC, Secondary	D ICS
IDT	IDT Classification	D IDT
IN (AU)	Inventor	D IN
IN.CNY	Inventor, Country	D IN.CNY
IPCI	IPC, Initial	D IPCI
IPCR	IPC, Reclassified	D IPCR
LA	Language	D LA
LAF	Language of Filing	D LAF
MCLM (5)	Main Claim (in English and French)	D MCLM
MCLMEN (5)	Main Claim in English	D MCLMEN
MCLMFR (5)	Main Claim in French	D MCLMFR
PA (CS)	Patent Applicant/Patentee	D PA
PA.CNY	Patent Applicant, Country	D PA.CNY
PI (PN, PATS) (1)	Patent Information	D PI
PIT	Patent Information Publication Type	D PIT
PNO	Patent Number, Original Format	D PNO
PRN (PRAI) (1,5)	Priority Information	D PRN

DISPLAY and PRINT Formats (cont'd)

Format	Content	Examples
PRNO (PRAO (2)) PRYF RLI (RLN) TI TIEN TIFR UP	Priority Number, Original Format Priority Year, First Related Patent Information Title (in English and French) Title in English Title in French Update Date	D PRNO D PRYF D RLI D TI D TIEN D TIFR D UP
ALL (1) ALLG (1) IALL (1) DALL (1) IALLG (1) APPS (1) BIB (1) BIBG (1) IBIB (1) IBIBG (1) BRIEF (1) BRIEFG (1,4) IBRIEF (1) IBRIEFG (1,4) FAM (1) CFAM (1) CPC.TAB IND IPC IPC.TAB LS LS2 MAX (ALL.M) (1) MAXG (ALLG.M) (1) IMAX (IALL.M) (1) IMAXG (IALLG.M) (1) RE SCAN (4) STD (1,6) STDG (1) ISTD (1) ISTDG (1) TRIAL (TRI, SAM, SAMPLE, FREE) TX	AN, ED, EDTX, UP, DED, DUPD, TI, IN, IN.CNY, PA, LAF, LA, DT, PIT, PI, AI, RLI, PRAI, IPC, CPC, EPC, ICO, IDT, AB, DETD, CLM ALL, plus graphic image ALL, indented with text labels ALL, delimited for post processing IALL, plus graphic image AI, RLN, PRAI AN, ED, EDTX, UP, DED, DUPD, TI, IN, IN.CNY, PA, LAF, LA, DT, PIT, PI, AI, RLI, PRAI, IPC, CPC, EPC, ICO, IDT BIB, plus graphic image BIB, indented with text labels IBIB, plus graphic image AN, ED, EDTX, UP, DED, DUPD, TI, IN, IN.CNY, PA, LAF, LA, DT, PIT, PI, AI, RLI, PRAI, IPC, CPC, EPC, ICO, IDT, AB, MCLM BRIEF, plus graphic image BRIEF, indented with text labels BRIEFG, indented with text labels AN, table of patent family information (from INPADOCDB) AN, Condensed family format (from INPADOCDB) CPC, CPC.KW, CPC.ACD, CPC.VER in tabular format ED, IPC (ICM, ICS, IPCI, IPCR), CPC, EPC, ICO, IDT International Patent Classification (ICM, ICS, IPCI, IPCR) IPC, IPC.KW, IPC.ACD, IPC.VER, in tabular version Legal Status (from INPADOCDB) Legal Status (from INPADOCDB), detailed version with display headers AN, ED, EDTX, UP, DED, DUPD, TI, IN, IN.CNY, PA, LAF, LA, DT, PIT, PI, AI, RLI, PRAI, IPC, CPC, EPC, ICO, IDT, AB, DETD, CLM, FA for all levels of publication MAX, plus graphic image MAX, indented with text labels IMAX, plus graphic image Citations (from INPADOCDB) TI (random display without answer numbers) AN, ED, EDTX, UP, DED, DUPD, TI, IN, IN.CNY, PA, LAF, LA, DT, PIT, PI, AI, RLN, PRAI, IPC, CPC, EPC, ICO, IDT STD, plus graphic image STD, indented with text labels ISTD, plus graphic image ED, EDTX, UP, DED, DUPD, TI, FA, DETN, CLMN DETD, CLM	D ALL D ALLG D IALL D DALL D IALLG D APPS D BIB D BIBG D IBIB D IBIBG D BRIEF D BRIEFG D IBRIEF D IBRIEFG D FAM D CFAM D CPC.TAB D IND D IPC D IPC.TAB D LS D LS2 D MAX D MAXG D IMAX D IMAXG D RE D SCAN D STD D STDG D ISTD D ISTDG D TRIAL D TX
HIT KWIC OCC	Hit term(s) and field(s) Up to 50 words before and after hit term(s) (KeyWord-In-Context) Number of occurrences of hit term(s) and field(s) in which they occur	D HIT D KWIC D OCC

- (1) By default, patent numbers, application and priority numbers are displayed in STN Format. To display them in Derwent format, enter SET PATENT DERWENT at an arrow prompt. To reset display to STN Format, enter SET PATENT STN.
- (2) Custom display only.
- (3) You can combine this display field with the qualifier .PK (Patent Kind Code) to display the content for a certain publication level of a record, e.g. CLM.B2.
- (4) SCAN must be specified on the command line, i.e., D SCAN or DISPLAY SCAN.
- (5) If priority information is not available for a certain document, this information is taken from the application information of this document and marked with an asterisk (*).
- (6) The default display format is STD.M, i.e., all publication levels of one family in the STD format.

CANPATFULL**SELECT, ANALYZE, and SORT Fields**

The SELECT command is used to create E-numbers containing terms taken from the specified field in an answer set.

The ANALYZE command is used to create an L-number containing terms taken from the specified field in an answer set.

The SORT command is used to rearrange the search results in either alphabetic or numeric order of the specified field(s).

You can combine all fields except FA with the qualifier .M to SELECT/ANALYZE the content of all publication levels.

Field Name	Field Code	ANALYZE/ SELECT (1)	SORT
Abstract (in English and French)	AB	Y	N
Abstract in English	ABEN	Y	N
Abstract in French	ABFR	Y	N
Accession Number	AN	Y	Y
Agent	AG	Y	Y
Agent, Country	AG.CNY	Y	Y
Application Country	AC	Y	N
Application Date	AD	Y	N
Application Information	AI (AP, APPS)	Y (2)	N
Application Year	AY	Y	N
Claims (in English and French)	CLM	Y	N
Claims in English	CLMEN	Y	N
Claims in French	CLMFR	Y	N
CPC Classification	CPC	Y	Y
Detailed Description (in English and French)	DETD	Y (3)	N
Detailed Description in English	DETDEN	Y (3)	N
Detailed Description in French	DETDFR	Y (3)	N
Document Type	DT	Y	Y
Entry Date	ED	Y	Y
Entry Date Full Text	EDTX	Y	N
European Patent Classification	EPC	Y	N
Field Availability	FA	Y	N
Graphic Image Size	GIS	Y	N
Graphic Image Type	GIT	Y	Y
International Patent Classification	IC	Y	N
Inventor	IN (AU)	Y	Y
Inventor, Country	IN.CNY	Y	Y
ICO (in-computer-only) Classification	ICO	Y	Y
IdT Classification	IDT	Y	Y
IPC (ICM, ICS, ICA, ICI, IPCI, IPCR)	IPC	Y	Y
IPC, Advanced Level Symbols	IPC.A	Y (4)	N
IPC, Advanced Level Symbols for Invention	IPC.AI	Y (4)	N
IPC, Initial	IPCI	Y	Y
IPC, Main	ICM	Y	Y
IPC, Reclassified	IPCR	Y	Y
IPC, Reform	IPC.REF	Y	N
IPC, Secondary	ICS	Y	Y
Language	LA	Y	Y
Language of Filing	LAF	Y	Y

SELECT, ANALYZE, and SORT Fields (cont'd)

Field Name	Field Code	ANALYZE/ SELECT (1)	SORT
Main Claim (in English and French)	MCLM	Y	N
Main Claim in English	MCLMEN	Y	N
Main Claim in French	MCLMFR	Y	N
Number of Claims	CLMN	Y	N
Number of Paragraphs in DETD	DETN	Y	N
Occurrence Count of Hit Terms	OCC	N	Y
Patent Applicant/Patentee	PA (CS)	Y	Y
Patent Applicant, Country	PA.CNY	Y	Y
Patent Assignee, Nationality	PA.NAT	Y	Y
Patent Assignee, Residence	PA.RES	Y	Y
Patent Assignee, Total	PA.T	Y	Y
Patent Assignee Address	PAA	Y	Y
Patent Country	PC	Y	Y
Patent Information Publication Type	PIT	Y	Y
Patent Kind Code	PK	Y	Y
Patent Number	PI (PN, PATS)	Y	Y
Patent Number, Original	PNO	Y	Y
Patent Number/Kind Code	PNK	Y	N
Pre-IPC8 Symbols from the ICM and first IPC8 values from 2006-present	IPC.F	Y (4)	N
Priority Country	PRC	Y	Y
Priority Date	PRD	Y	Y
Priority Date, First	PRDF	Y	Y
Priority Number Kind Code	PRK	Y	Y
Priority Number	PRN (PRAI)	Y	Y
Priority Number, Original	PRNO	Y	Y
Priority Year	PRY	Y	Y
Priority Year, First	PRYF	Y	Y
Publication Date	PD	Y	Y
Publication Year	PY	Y	Y
Related Patent Country	RLC	Y	Y
Related Application Number	RLN	Y	Y
Related Application Date	RLD	Y	Y
Related Application Year	RLY	Y	Y
Title (in English and French)	TI	Y (default)	Y
Title in English	TIEN	Y	Y
Title in French	TIFR	Y	Y
Update Date	UP	Y	Y

- (1) HIT may be used to restrict terms extracted to terms that match the search expression used to create the answer set, e.g., SEL HIT TI.
- (2) Selects or analyzes application numbers with /AP appended to the terms created by SELECT.
- (3) Appends /BI to the terms created by SELECT.
- (4) Appends /IPC to the terms created by SELECT.

Sample Records

DISPLAY MAX (STN format)

AN 2008007896 CANPATFULL ED 20110816 UP 20110816 EDTX 20110816
 DED 20091113 DUPD 20100818

TIEN VERSATILE SAW
 TIFR SCIE VERSATILE

IN GINGRAS, CLAUDE A., 23 rue Roy, DOSQUET, G0S 1H0, CA
 PA GINGRAS, CLAUDE A., 23 rue Roy, DOSQUET, G0S 1H0, CA, [NAT: CA, RES: CA];
 AG NA, CA
 LAF French
 LA French
 DT Patent; (Fulltext)

PIT CAA1 PATENT (PUBLISHED FROM 1973 ONWARDS) [FROM NO. 1 TO 1275150] or
 APPLICATION LAID OPEN [FROM NO. 2000001 ONWARDS]

PI CA 2630663 A1 20091105
 AI CA 2008-2630663 20080505
 PRAI CA 2008-2630663 * 20080505
 IPCI B23D0047-00 [I,A]; B23D0045-04 [I,A]; B27B0005-10 [I,A]; B28D0001-04
 [I,A]; E02F0005-30 [I,A]; E04G0023-08 [I,A]
 EPC B28D0001-04E; B27B0005-10; B27B0005-20G; B28D0001-12B2

ABEN

A circular saw of diameter of approximately 10 feet or large diameter at the end of a mast of a back-digging shovel, the saw functioning using a hydraulic engine. The saw can, on all the plans and all the positions, to take all the angular positions that work requires of 0 degree to an ...

ABFR

Une scie circulaire de diametre d'environ 10 pieds ou de grand diametre au bout d'un mat d'une pelle hydraulique, la scie fonctionnant a l'aide d'un moteur hydraulique. La scie peut, sur tous les plans et toutes les positions, prendre toutes les positions angulaires que le travail ...

DETDEN

TITLE OF the INVENTION Saws changeable FIELD OF the INVENTION the present invention is asserted of a US deposit Provisional 61/064,443 of March 6th, 2008 concerning the use of a circular saw installed at the end of a mast of a back-digging shovel, to cut rock, concrete, asphalts, ...

2. The device of the claim 1 in which the aforementioned angular race is of 0 with roughly 135 degrees. ...

DETDFR

TITRE DE L'INVENTION Scie versatile DOMAINE DE L'INVENTION La presente invention se revendique d'un depot US Provisional 61/064,443 du 6 mars 2008 concernant l'utilisation d'une scie circulaire installee au bout d'un mat d'une pelle hydraulique, pour couper roche, beton, asphalte, acier, bois ou autre. DESCRIPTION DE L'ART ANTERIEUR ...

CLMFR

1. Une scie a beton dispositif (22) monte perpendiculairement a un appareil mecanique comprenant un boitier (23,24) entourant un arbre de rotation (28) etant a une extremite fixe a ladite scie, ledit arbre de rotation etant mu a une autre extremite par un moteur interne y ...

2. Le dispositif de la revendication 1 dans lequel ladite course angulaire est de 0 a approximativement 135 degres. ...

AN 2008007896 CANPATFULL ED 20110816 UP 20110816 EDTX 20110816
DED 20101020 DUPD 20101129
TIEN VERSATILE SAW
TIFR SCIE VERSATILE
IN GINGRAS, CLAUDE A., 23 rue Roy, DOSQUET, GOS 1H0, CA
PA GINGRAS, CLAUDE A., 23 rue Roy, DOSQUET, GOS 1H0, CA, [NAT: CA, RES: CA];
AG NA, CA
LAF English
LA French
DT Patent; (Fulltext)
PIT CAC PATENT (PUBLISHED FROM 19901016 ONWARDS) [FROM NO. 1275151 TO
2000000] or PATENT (SECOND LEVEL) [FROM NO. 2000001 ONWARDS]
PI CA 2630663 C 20101012
AI CA 2008-2630663 20080505
PRAI CA 2008-2630663 * 20080505
IPCI B23D0047-00 [I,A]; B23D0045-04 [I,A]; B27B0005-10 [I,A]; B28D0001-04
[I,A]; E02F0005-30 [I,A]; E04G0023-08 [I,A]
EPC B28D0001-04E; B27B0005-10; B27B0005-20G; B28D0001-12B2

ABEN

A circular saw of diameter of approximately 10 feet or large diameter at the end of a mast of a back-digging shovel, the saw functioning using a hydraulic engine. The saw can, on all the plans and all the positions, to take all the angular positions that work requires of 0 degree to an ...

ABFR

Une scie circulaire de diametre d'environ 10 pieds ou de grand diametre au bout d'un mat d'une pelle hydraulique, la scie fonctionnant a l'aide d'un moteur hydraulique. La scie peut, sur tous les plans et toutes les positions, prendre toutes les positions angulaires que le travail ...

DETDEN

TITLE OF the INVENTION Saws changeable FIELD OF the INVENTION the present invention is asserted of a US deposit Provisional 61/064,443 of March 6th, 2008 concerning the use of a circular saw installed at the end of a mast of a back-digging shovel, to cut rock, concrete, asphalts, steel, wood or autre. DESCRIPTION OF FORMER ART I0 ...

CLMEN

1. A device of concrete saw (22) assembled perpendicular to a mechanical apparatus including/understanding a case (23,24) surrounding a tree of rotation (28) fixed at an end fixed of the aforesaid the saw, the ...
2. The device of the claim 1 in which the aforementioned angular race is of 0 with roughly 135 degrees.
3. The device of claim 1 used in projects of demolition, under any angle and in restricted places requiring in these cases the minimum ...

DETDFR

TITRE DE L'INVENTION SCIE VERSATILE DOMAINE DE L'INVENTION La presente invention concerne l'utilisation d'une scie circulaire installee au bout d'un mat d'une pelle hydraulique, pour couper roche, beton, asphalte, acier, bois ou autre. DESCRIPTION DE L'ART ANTERIEUR Les inventions suivantes ont attire notre attention : US 5,676,127 "EXCAVATOR MOUNTED CONCRETE SAW" de Patrick Kelly et al. delivre le 14 octobre 1997; montre une scie a beton circulaire adaptee pour etre montee sur un bras ...

CLMFR

Les realisations au sujet desquelles un droit de privilege est revendique

CANPATFULL

sont definies comme suit :

1. Un dispositif de scie a beton (22) monte perpendiculairement a un appareil mecanique comprenant un boitier (23,24) entourant un arbre de rotation (28) fixe a une extremite fixe de ladite scie, ledit arbre de rotation etant mu a une autre extremite par un moteur interne (24) ...

2. Le dispositif de la revendication 1 dans lequel ladite course angulaire est de 0 a approximativement 135 degres. ...

DISPLAY BRIEF

AN 2008002827 CANPATFULL ED 20110818 UP 20110913 EDTX 20110818
DED 20110810 DUPD 20110818
TIEN LANDING GEAR FITTED WITH DEVICE FOR COMMUNICATIONS BETWEEN A WHEEL AND
THE LANDING GEAR
TIFR ATTERRISSEUR EQUIPE D'UN DISPOSITIF DE COMMUNICATION ENTRE UNE ROUE ET
L'ATTERRISSEUR
IN PRADIER, JEAN-CLAIR, FR; LAVAUD, THOMAS, FR
PA MESSIER-BUGATTI, Zone Aeronautique Louis Breguet F-78140, VELIZY
VILLACOUBLAY, FR, [NAT: FR, RES: FR];
AG GOUDREAU GAGE DUBUC, CA
LAF French
LA French
DT Patent; (Fulltext)
PIT CAC PATENT (PUBLISHED FROM 19901016 ONWARDS) [FROM NO. 1275151 TO
2000000] or PATENT (SECOND LEVEL) [FROM NO. 2000001 ONWARDS]
PI CA 2633405 C 20110802
AI CA 2008-2633405 20080605
PRAI FR 2007-4089 20070607
IPCI B64C0025-36 [I,A]; G08C0017-02 [I,A]; B60C0023-04 [N,A]
EPC B60C0023-04C

ABEN

The invention relates to an undercarriage of aircraft comprising at least an axle on which at least a wheel is assembled to turn, the undercarriage comprising a device of communication to connect a sensor assembled on a rim of the wheel to fixed means of salary assembled on the aircraft. ...

ABFR

L'invention concerne un atterrisseur d'aeronef comportant au moins un essieu sur lequel au moins une roue est montee pour tourner, l'atterrisseur comportant un dispositif de communication pour relier un capteur monte sur une jante de la roue a des moyens de traitement fixes montes sur l'aeronef. Selon l'invention, le dispositif de communication comporte d'une part une antenne solidaire du capteur et donc tournant ...

MCLMEN

1. Undercarriage of aircraft comprising at least an axle on which at least a wheel is assembled to turn, the undercarriage comprising a device of communication to connect a sensor assembled on a rim of the wheel to fixed means of salary assembled on the aircraft, in which the ...

MCLMFR

1. Atterrisseur d'aeronef comportant au moins un essieu sur lequel au moins une roue est montee pour tourner, l'atterrisseur comportant un dispositif de communication pour relier un capteur monte sur une jante ...

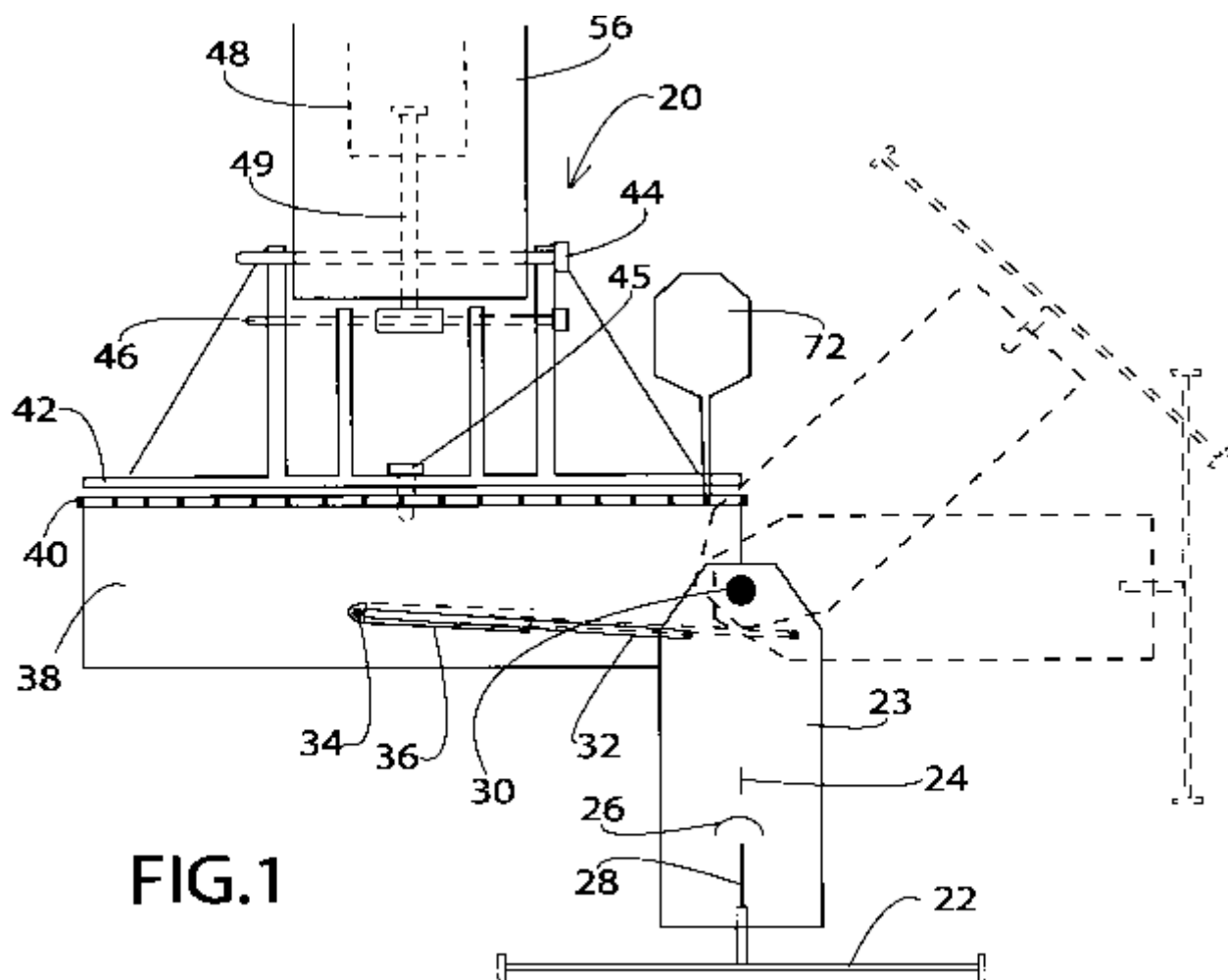


FIG.1

In North America
CAS
STN North America
P.O. Box 3012
Columbus, Ohio 43210-0012 U.S.A.

CAS Customer Center:
Phone: 800-753-4227 (North America)
614-447-3700 (worldwide)
Fax: 614-447-3751
Email: help@cas.org
Internet: www.cas.org

In Europe
FIZ Karlsruhe
STN Europe
P.O. Box 2465
76012 Karlsruhe
Germany
Phone: +49-7247-808-555
Fax: +49-7247-808-259
Email: helpdesk@fiz-karlsruhe.de
Internet: www.stn-international.com

In Japan
JAICI (Japan Association for
International Chemical Information)
STN Japan
Nakai Building
6-25-4 Honkomagome, Bunkyo-ku
Tokyo 113-0021, Japan
Phone: +81-3-5978-3601 (Technical Service)
+81-3-5978-3621 (Customer Service)
+81-3-5978-3600
Fax: +81-3-5978-3600
Email: support@jaici.or.jp (Technical Service)
customer@jaici.or.jp (Customer Service)
Internet: www.jaici.or.jp